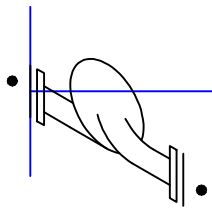
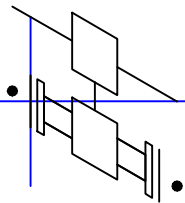


ISO PUMP & ACCESSORIES

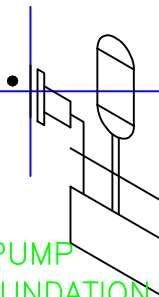
CENTRIFUGAL



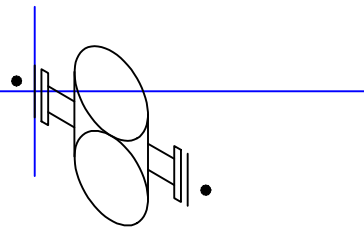
RECIPROCATING



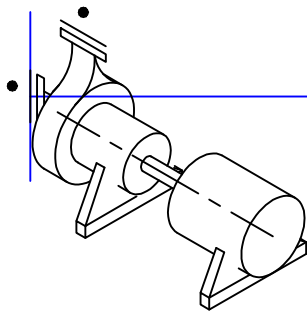
SUMP



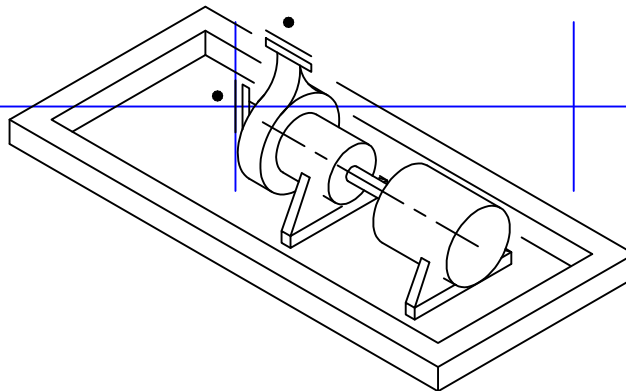
ROTARY



PUMP



PUMP
W/FOUNDATION



PLANE LEGEND:
 LP = LEFT PLANE
 RP = RIGHT PLANE
 TLP = TOP LEFT PLANE
 TRP = TOP RIGHT PLANE

