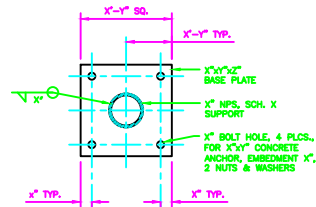
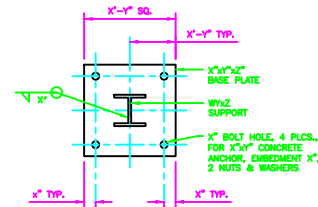


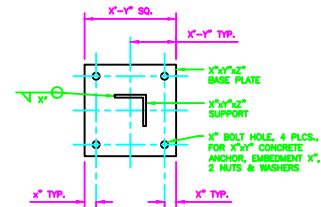
NOTE:
 THESE DRAWINGS ARE PROVIDED TO ASSIST IN THE DRAFTING PROCESS FOR VARIOUS STYLES OF PIPE SUPPORTS. THESE DRAWINGS SHOULD NOT BE USED AS A SUBSTITUTE FOR THE DESIGN AND RECOMMENDATIONS FROM A STRUCTURAL ENGINEER.



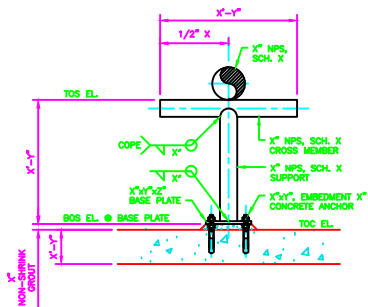
DET. 2
 BASE PLATE w/PIPE



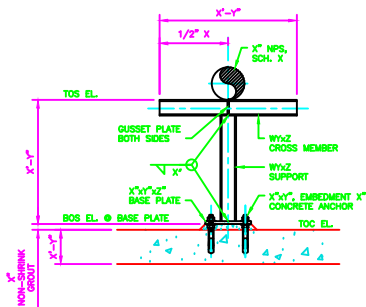
DET. 2
 BASE PLATE w/BEAM



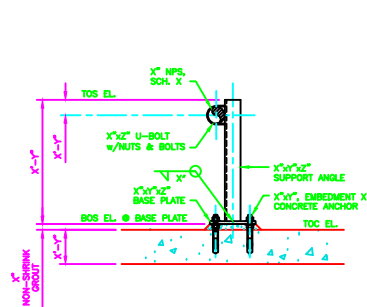
DET. 2
 BASE PLATE w/ANGLE



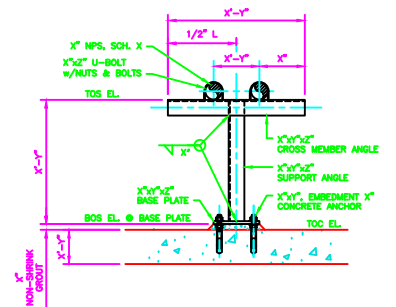
DET. 1
 T PIPE SUPPORT WITH BASE PLATE



DET. 1
 T I BEAM SUPPORT WITH BASE PLATE



DET. 1
 ANGLE IRON SUPPORT WITH BASE PLATE



DET. 1
 T ANGLE IRON SUPPORT WITH BASE PLATE