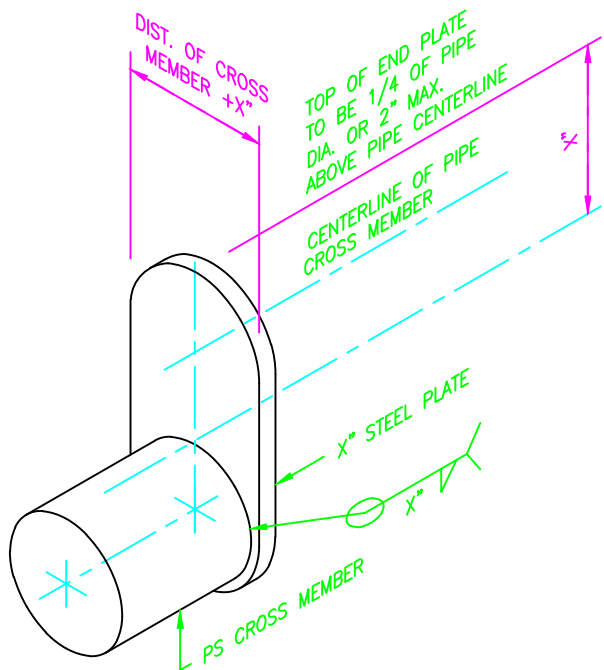
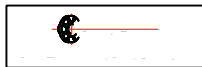
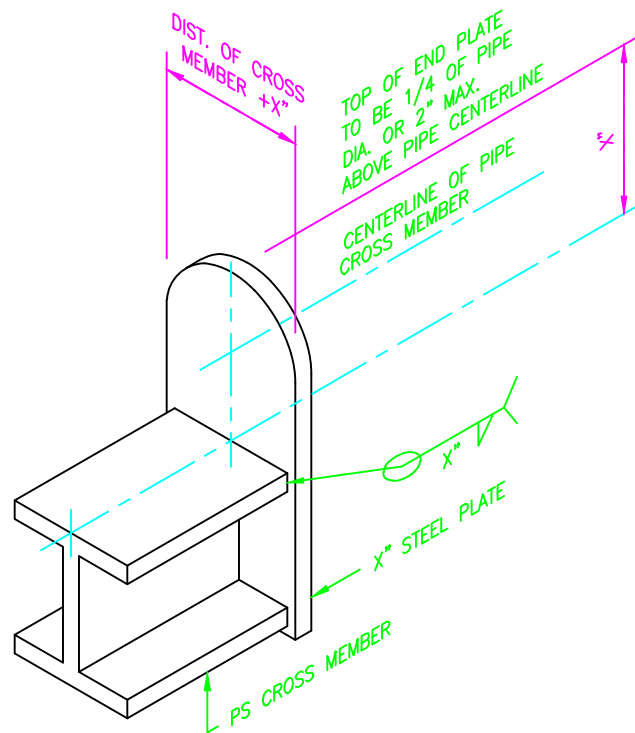


**NOTE:**

THESE DRAWINGS ARE PROVIDED TO ASSIST IN THE DRAFTING PROCESS FOR VARIOUS STYLES OF PIPE SUPPORTS. THESE DRAWINGS SHOULD NOT BE USED AS A SUBSTITUTE FOR THE DESIGN AND RECOMMENDATIONS FROM A STRUCTURAL ENGINEER.



DET. 1  
PIPE SUPPORT END PLATE



DET. 1  
I BEAM SUPPORT END PLATE